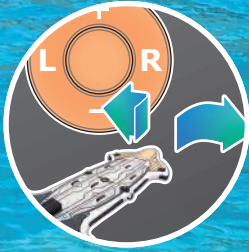




High Stability
& Safety



Easy Drive
for Everyone



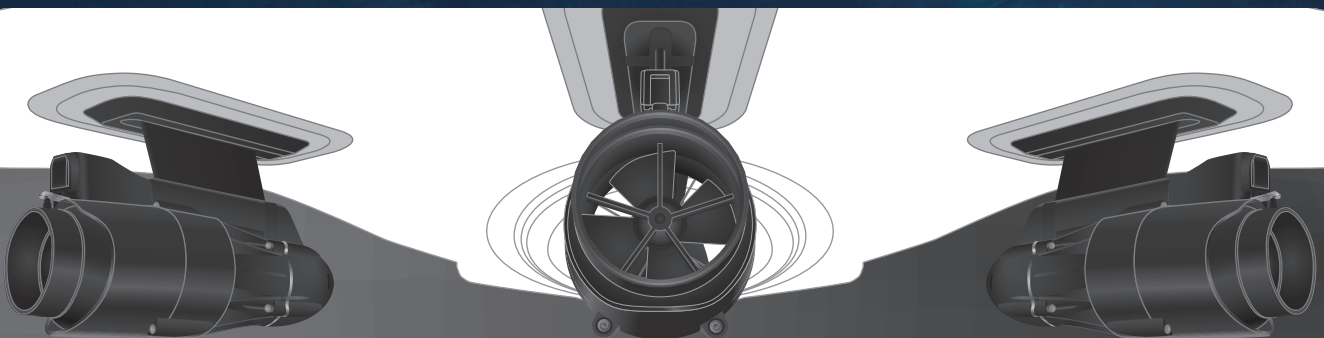
Play & Relax
Together



MarineDrive
Product Page

Electric JET Board

TRIPLE JET PROPULSION





High Capacity Li-ion Battery



1.28kWh high-capacity lithium-ion battery as standard equipment! Completely waterproof! Equipped with BMS (Battery Management System) for safety.

Triple Jet Propulsion

Equipped with three 360W electric jet propulsion motors! Powerful jet water flow propels the board. The jet nozzles change the direction of the water flow to change direction.

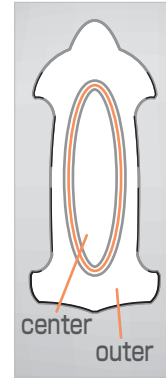


High Stability and Safety



Stability specific board shape

Super wide board with a maximum width of 146 cm for great stability! The width in the center of the board has been slimmed down, making the board easy to row by hand. The board's low height prevents it from being swept away by the wind, making it stable and easy to row. High stability minimizes the risk of capsizing even when subjected to sudden towing waves.



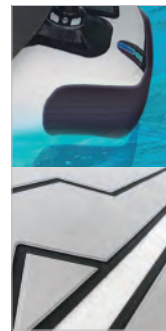
Reliable 2 chamber construction

There are two large capacity air chambers. The two-chamber I-frame bulkhead construction increases the rigidity / stability of the board. In the unlikely event of an air leak in one chamber, the other chamber maintains buoyancy.



Safe electric jet propulsion

Jet propulsion is a safer method than propeller propulsion. And it is electric, it does not require gasoline, a hazardous substance, like a 2-horsepower engine. Three jet propulsion increases the straightness of the board's motion. If one of the jets malfunctions, the other two will maintain sufficient propulsion.



High durability

Rails are equipped with fenders. The deck is made of highly durable double layer EVA. The board's durability and rigidity are enhanced.



Easy Drive and Turning for Everyone



Easy remote control

The board is controlled by buttons on the remote. Even beginners can operate it easily. Turning is also easy with just a push of a button. Backward movement is also supported.



Anyone, anywhere

The total output of the jet is 1080W. The length of the board is 330cm. No license is required in Japan, and no vessel inspection is required. Anyone can use it anywhere in Japan.



Play and Relax Together



Spacious space on the water

There is no partition between the person and the water surface, allowing you to feel closer to nature. You can freely turn your body around. So you can relax on the water with a high sense of openness.

Powerful jets

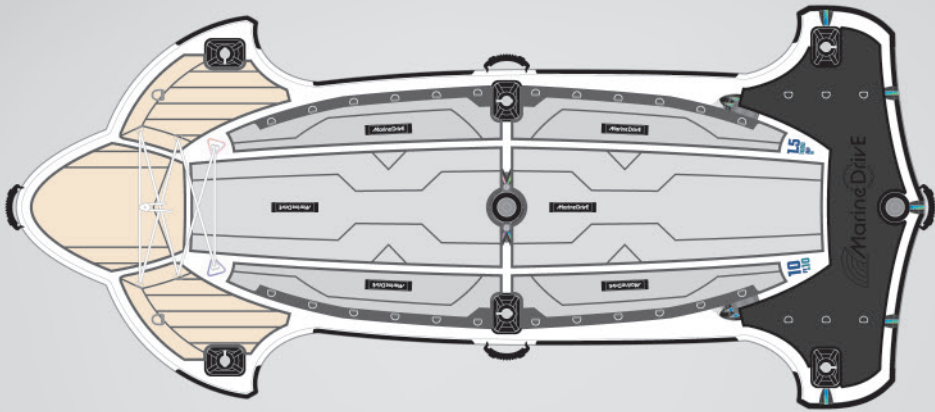
Three high-powered jets and a large-capacity battery. Powerful enough for two adults to sail for a long time.

One person can prepare and cleanup

This board is easier and simpler to prepare/cleanup than a 2 hp rubber boat. The board weights only about 24 kg and can be prepared and cleaned up by one person.

This electric jet is also easier to maintain than a 2 hp outboard engine. The easy prepare/cleanup allows you to enjoy your time on the water more.

Board Design



About deck of stern
We will be making layout/design of deck adjustments to accommodate wave currents at increasing speeds

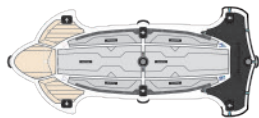
Logo Design



We asked calligrapher Sokyo to write the logo of MarineDrive.



Specification



Board

Size L330cm W146cm T15cm
Weight about 24kg
Volume about 480L
Max Payload 210kg
Type 2chamber Inflatable



Li-ion Battery

Size L31cm W21cm H10cm
Weight about 8kg
Voltage 22.2V
Capacity 1.28kWh
Waterproof IP67



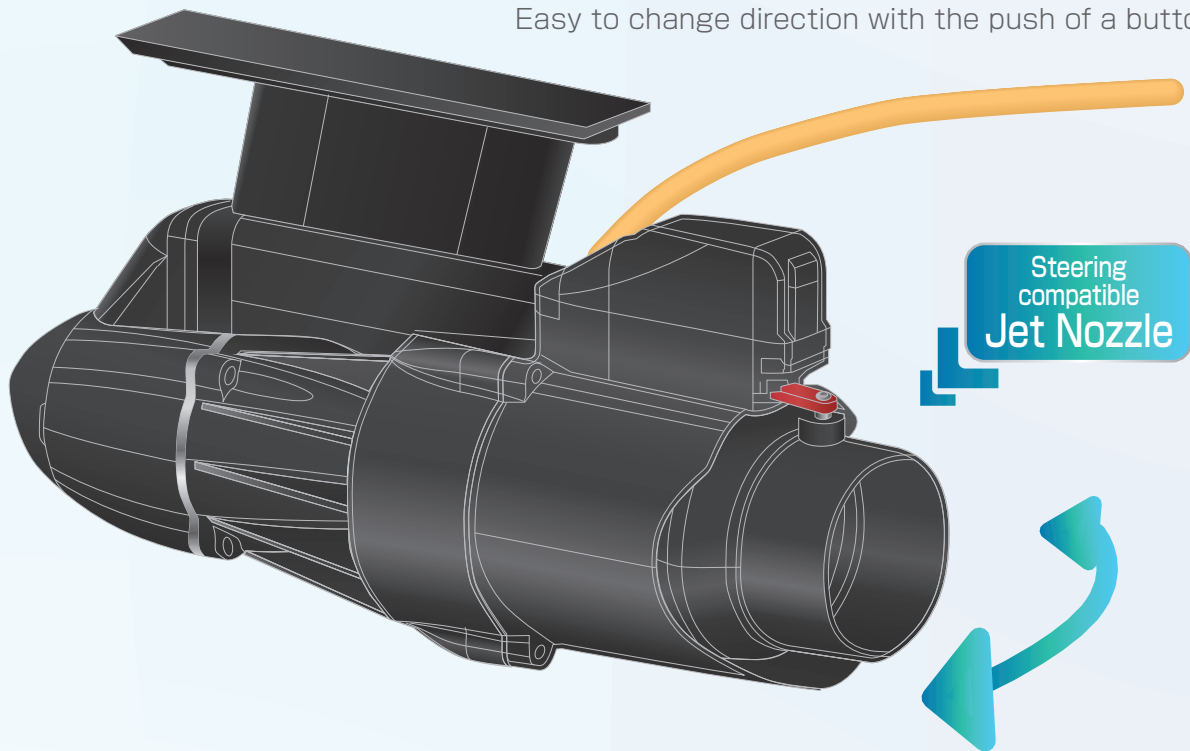
JET Propulsion

Size L30cm W10cm H18cm
Weight about 5kg
Output 360W
Total Output 1080W
Waterproof IP68

The images/specifications in this brochure are under development. Subject to change.

Jet Propulsion

Newly developed jet nozzle compatible with steering .
Easy to change direction with the push of a button.



marinedrive_org



Marine Drive

Product Page

English brochure
is here!



contact@marine-drive.org

Marine Drive Co., Ltd

Postal Code : 100-0400

21CreateCenter, Azasetoyama, Niijima, Tokyo, Japan